

LIMITED WARRANTY

Craig warrants this product to be free from manufacturing defects in material and workmanship under normal use for a period of 90 days from date of purchase. If service is required, please return the product to the store where it was purchased for exchange; or, pack the unit in the original packing material with all accessories if applicable, a copy of your sales receipt and a Cashier's check or Money Order for \$3.00 (to cover shipping and handling costs) payable to Craig Electronics Inc. Ship your product freight pre-paid. Your unit will be repaired, replaced or a refund will be forwarded to you within four weeks of receipt of your unit. Please ship your unit to:

Craig Electronics Inc.
1160 NW 163 Drive
Miami, FL 33169

This warranty is void if the product has been: a) Used in a commercial application or rental. b) Damaged through misuse, negligence, or abuse. c) Modified or repaired by anyone other than an authorized Craig service center. d) Damaged because it is improperly connected to any other equipment.

Note: This warranty does not cover: a) Ordinary adjustments as outlined in the Owner's Manual which can be performed by the customer. b) Damage to equipment not properly connected to the product. c) Any cost incurred in shipping the product for repair. d) Damage to the product not used in the USA.

This warranty is not transferable and only applies to the original purchases. Any implied warranties, including the warranty of merchantability, are limited in duration to the period of this expressed warranty and no warranty whether expressed or implied shall apply to the product thereafter.

Under no circumstance shall Craig be liable for any loss or consequential damage arising out of the use of this product. This warranty gives specific legal rights. However, you may have other rights which may vary from state to state. Some states do not allow limitations on implied warranties or exclusion of consequential damage. Therefore, these restrictions may not apply to you.

MAINTENANCE:

- Do not expose the unit to rain, moisture or extreme temperature.
- Do not place the unit near strong magnetic fields.
- Do not use benzene thinner or any other abrasive cleaner to clean the cabinet. Wipe it with a soft cloth moistened with a mild soap and water solution to clean.

To Obtain Service on your Product
email:service@craigelectronics.com

CRAIG®

MINI AM/FM PORTABLE RADIO with Neck Strap and Earbuds

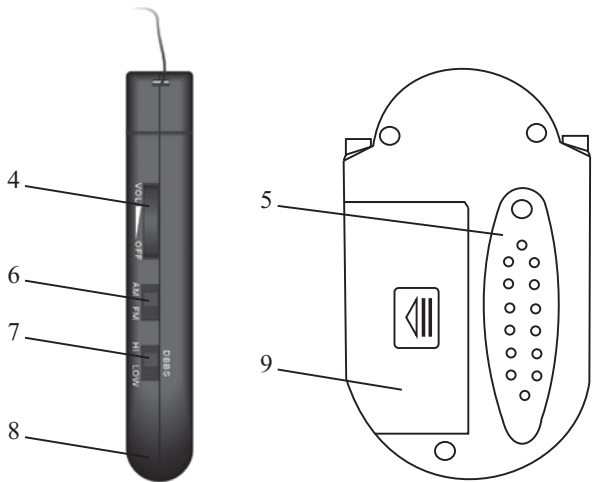
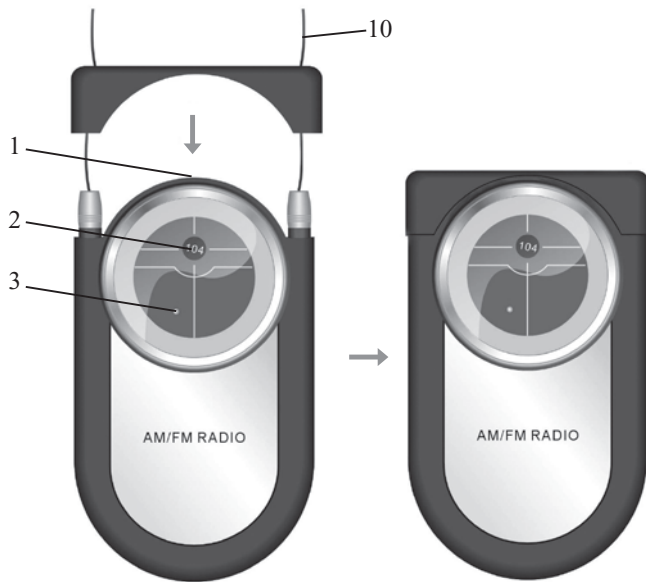
Owner's Manual

PLEASE READ BEFORE OPERATING THIS EQUIPMENT.

Model: CR4116

Printed in China CR4116-IB-E0BS1-B0US

LOCATION OF CONTROLS



1. TUNING Control
2. Dial Scale and Pointer
3. Power ON Indicator
4. ON-OFF Switch/VOLUME Control
5. Belt Clip (Rear of Unit)
6. Band Switch (AM-FM)
7. Super Bass Selector
8. Phones Jack
9. Battery Compartment (Rear of Unit)
10. Neck Strap

BATTERY OPERATION

1. Remove the Battery Compartment cover on the rear of the unit by sliding it off.
2. Insert two (2) "AAA" size batteries (Not Included) following the polarity marking inside battery compartment and Figure 1 below.
3. Replace the Battery Compartment cover and make sure it snaps shut securely.

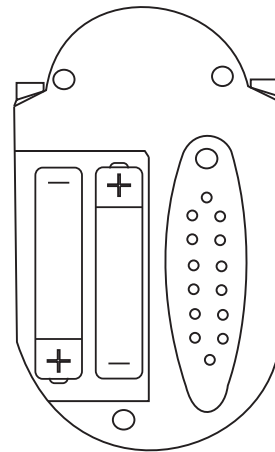


Figure 1

BATTERY PRECAUTIONS:

Follow these precautions when using a battery in this device:

1. Use only the size and type of batteries specified.
2. Be sure to follow the correct polarity when installing the batteries as indicated in the battery compartment. Reversed batteries may cause damage to the device.
3. Do not mix different types of batteries together (e.g. Alkaline and Carbon-zinc) or old batteries with fresh ones.
4. If the batteries in the device are consumed or the device is not to be used for a long period of time, remove the batteries to prevent damage or injury from possible battery leakage.
5. Do not try to recharge batteries not intended to be recharged; they can overheat and rupture. (Follow battery manufacturer's directions.)
6. Do not dispose of batteries in fire, batteries may explode or leak.
7. Clean the battery contacts and also those of the device prior to battery installation.

RADIO OPERATION

1. Insert the Earphone (Included) into the Phones jack.
2. Rotate the ON-OFF switch/VOLUME control clockwise until a click is heard to turn the unit on.
3. Slide the Band AM or FM band as desired.
4. Rotate the TUNING control to select a desired station.
5. Turn the ON-OFF switch/VOLUME control to adjust volume.
6. When finished listening, turn the ON-OFF switch/Volume control counter clockwise until a click is heard to turn the unit power OFF.

ANTENNAS:

AM: This unit has a built-in ferrite rod antenna which provides adequate reception in most areas. If reception is weak, turn the unit to improve reception.

FM: The FM antenna is built into the headphone wire. If reception is weak, extension and relocation the wires.

INFORMATION:

This equipment has been tested and found to comply with the limits for a Class B digital device, pursuant to Part 15 of the FCC Rules. These limits are designed to provide reasonable protection against harmful interference in a residential installation. This equipment generates, uses and can radiate radio frequency energy and, if not installed and used in accordance with the instructions, may cause harmful interference to radio communications. However, there is no guarantee that interference will not occur in a particular installation. If this equipment does cause harmful interference to radio or television reception, which can be determined by turning the equipment off and on, the user is encouraged to try to correct the interference by one or more of the following measures:

- Reorient or relocate the receiving antenna.
- Increase the separation between the equipment and receiver.
- Connect the equipment into an outlet on a circuit different from that to which the receiver is connected.
- Consult the dealer or an experienced radio/TV technician for help.

FCC WARNING:

This equipment may generate or use radio frequency energy. Changes or modifications to this equipment may cause harmful interference unless the modifications are expressly approved in the instruction manual. The user could lose the authority to operate this equipment if an unauthorized change or modification is made.